

General data

DRP2			M	R
Weight	m	kg	1 Stage	
			2 Stages	202 207
Efficiency	η	%	1 Stage	
			2 Stages	93 91
Backlash	J	arcmin	Standard	3 4
			Reduced	1 2
Color	RAL2012			

Pinion features

Tooth type			Helical	Straight
Module	Mo	mm	4	4
Helix angle (left)	β	deg	19°31'42"	0°
Number of teeth	Z2	-	18	19
Pressure angle	α	deg	20°	20°
Theoretical pitch diameter	D02	mm	76,39	76,00
Addendum modification factor	x0	-	0,638	0,688
Pinion quality grade	Q	(ISO 1328)	6	6
Surface hardness	HRC	HRC	61-63	61-63

Rack features

Version			Helical	Straight
Standard	F2B	N	28552	24705
	F2NOT	N	57103	42966
	Material		C45E DIN 1.1191	
Reinforced	F2B	N	35138	N/A
	F2NOT	N	76388	N/A
	Material		16MnCr5	
Available length	L	mm	500, 1000, 2000	
Dimensions	see details p123-125			

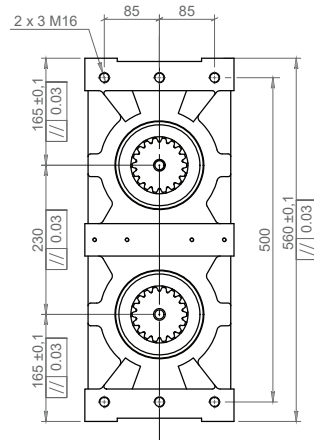
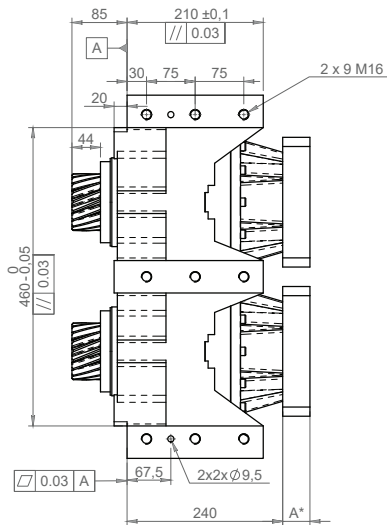
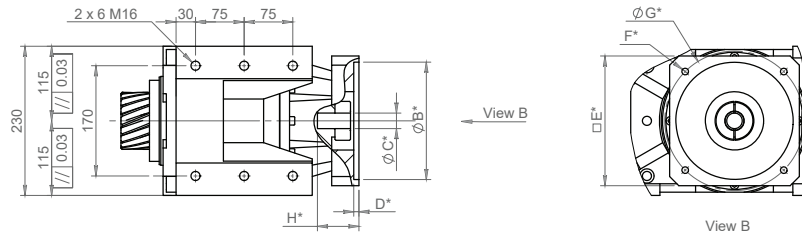
Drive linear features

Ratio			5	7	10	17	21	31	46	61	91
Nominal feed force	F2N	N	25395	20944	31416	29348	32254	29007			
Peak acceleration feed force	F2B	N	44440	36652	54978	51358	56444	50763			
Max. acceleration feed force	F2B_max	N	88881	73304	109956	102717	112888	101526			
E-stop force	F2NOT	N	71995	71995	71995	71995	71995	71995			
Max. linear speed	V2B	m/min	85	69	46	31	24	16			
Nominal linear speed	V2N	m/min	30	24	16	11	8	6			
Linear stiffness on the rack	K2T +M	N/ μ m	291	276	291	278	288	275			
	K2T +R	N/ μ m	251	251	273	273	285	275			
Inertia	I +M	kg.mm ²	816	721	662	634	595	588			
	I +R	kg.mm ²	727	643	584	555	517	510			

DRP ratings

Ratio			5	7	10	17	21	31	46	61	91
Nominal output torque	T2N	Nm	970	800	1200	1121	1232	1108			
Max. output torque	T2B	Nm	1698	1400	2100	1962	2156	1939			
No load torque	T01 +M	Nm	2	2	2	2	2	2			
	T01 +R	Nm	2,3	2,3	2,3	2,3	2,3	2,3			
E-stop torque	T2NOT	Nm	2750	2750	2750	2750	2750	2750			
Max. input speed	n1B	rpm	6000	6000	6000	6000	6000	6000			
Nominal input speed	n1N	rpm	2100	2100	2100	2100	2100	2100			
Radial stiffness	K2R	N/ μ m	650	650	650	650	650	650			
Axial stiffness	K2A	N/ μ m	2162	2162	2162	2162	2162	2162			
	C2t +M	Nm/ rad	904127	814746	904127	825059	883501	807870			
Torsional stiffness		Nm/arcmin	263	237	263	240	257	235			
	C2t +R	Nm/ rad	677236	677236	794120	794120	866312	804433			
		Nm/arcmin	197	197	231	231	252	234			

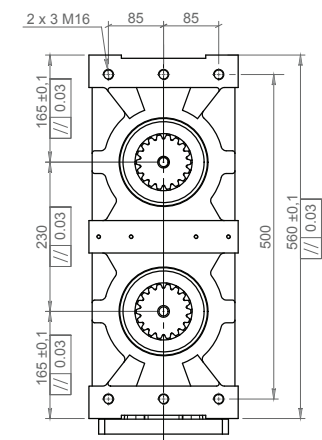
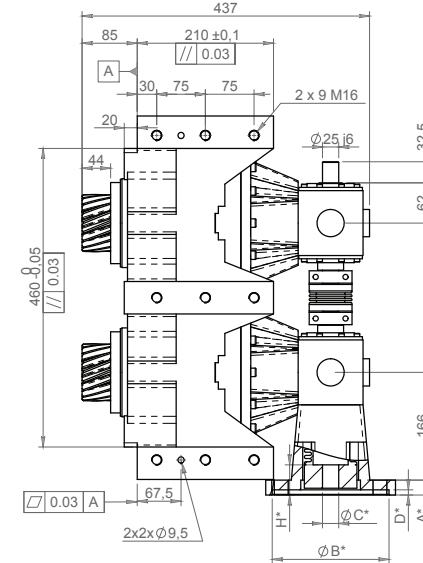
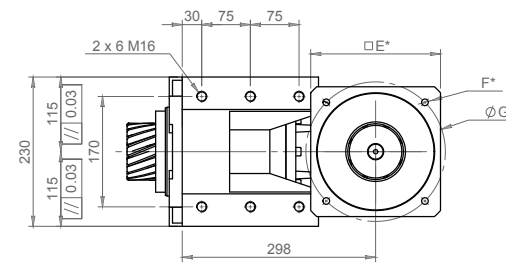
DIMENSIONS - TYPE M



	IFB 140 14/24	IFB 140 28/38	IFB 200 28/38
A	37	42	57
E	140	140	200
H	59	65	80

*B C D F G According to motor dimensions
Tapping depth = 1.5x0 thread

DIMENSIONS - TYPE R



	MF2 140	MF2 200
A	23	23
E	140	200
H	80	80

*B C D F G According to motor dimensions
Tapping depth = 1.5x0 thread

Dimensions and main data for information only - Please consult us and / or refer to Products Datasheets
For accurate selection, contact your local supplier