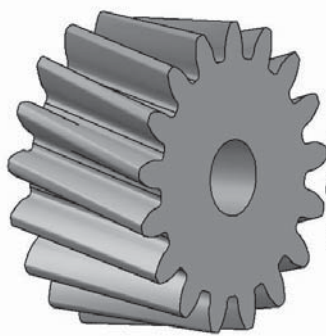


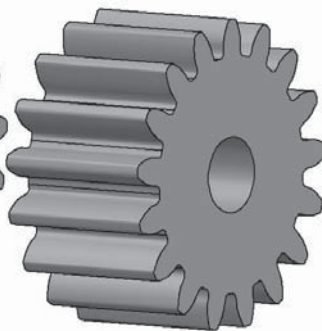


LUBRICATION PINIONS

PGRP.H



PGRP.S



MOUNTING AXIS

SURP



SFRP



SFRPX



Lubrication of open spur gear drives and racks

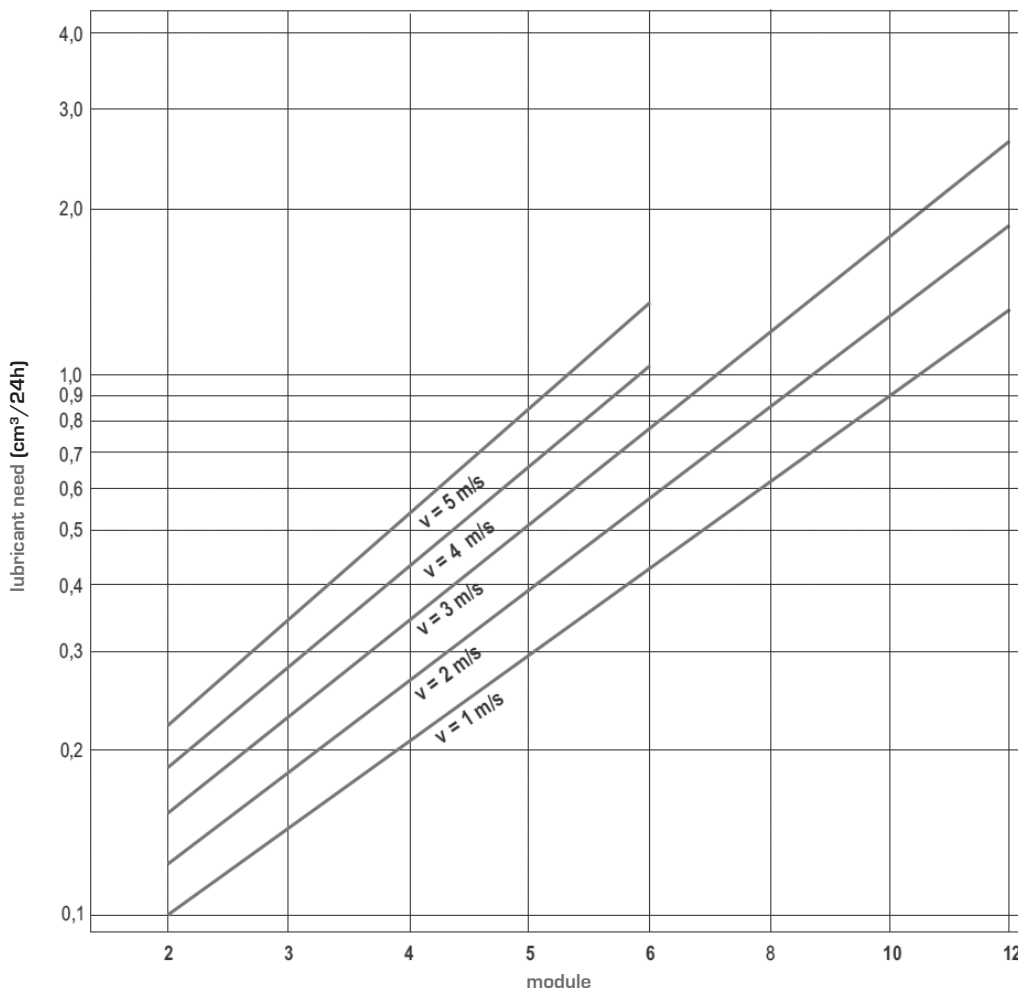
For tooth systems in open drives, an automatic lubrication supply is preferred. Exceptions are possible, in the case of very small modules, slow speed <1m/s and light duty cycles manual lubrication is adequate.

Automatic relubrication with polyurethane foam pinions

A far better technical solution to relubricate the tooth system is an automatic and continuous spreading of the lubricant with polyurethane foam pinion which are brought into contact with the drive gear or rack. The lubrication pinion does not transmit a torque - it only carries the grease to that part of the tooth system it touches.

The necessary relubrication amounts for different tooth systems with different running conditions is shown in the diagram below. Conditions for the validity of the values shown in the table below are the use of a suitable PU - polyurethane foam pinion and a proper lubricant.

Lubricant quantities for lubrication with PU Foam Pinions



ANDANTEX

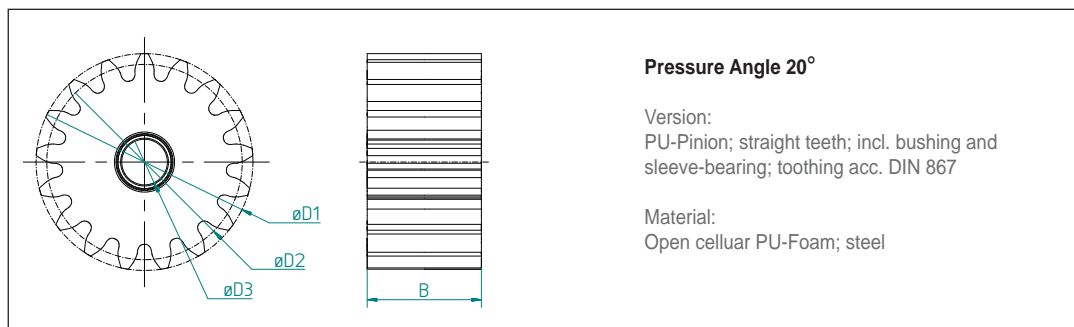
Technical specification lubrication pinion

The PU - lubrication pinions are made of an open cellular polyurethane foam (temperature range -30° C...+150° C). Pinions with module 3 and bigger are put together in segments. To choose the correct lubrication pinion it has to be decided by design, if the lubrication pinion should be mounted on the rack or drive pinion.

Using lubrication pinions of an open-cellular polyurethane foam material ensures an optimal supply of the tooth system over long distances. The material stores the lubricant and delivers it in smallest quantities. This lubrication avoids over-lubrication as well as wear (as a consequence of insufficient lubrication).



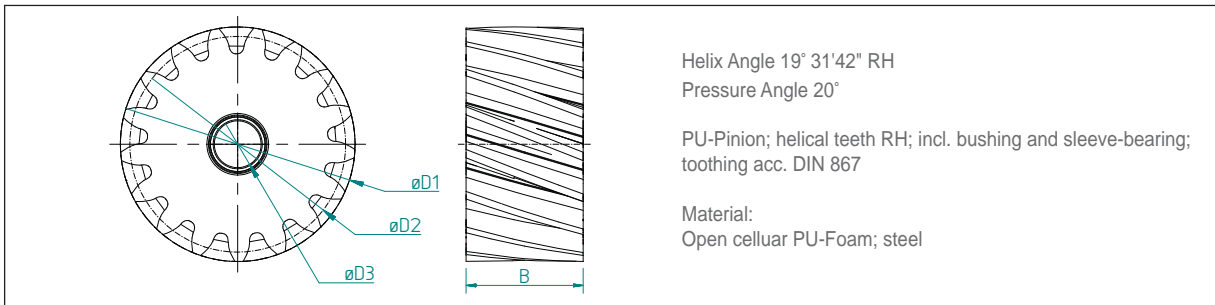
LUBRICATION PINION - STRAIGHT TEETH



Code - Part number	Module	z*	D1	D2	D3	B
PGRP0.S_M1,5	1.5	24	39.0	36.0	12.0	15.0
PGRP0.S_M2	2.0	17	38.0	34.0	12.0	20.0
PGRP1.S - EX103930-00	3.0	17	57.0	51.0	12.0	30.0
PGRP2.S - EX103931-00	4.0	17	76.0	68.0	12.0	40.0
PGRP3.S - EX103932-00	5.0	17	95.0	85.0	20.0	50.0
PGRP4.S - EX103933-00	6.0	17	114.0	102.0	20.0	60.0
PGRP5.S - EX103934-00	8.0	17	152.0	136.0	20.0	80.0
PGRP6.S - EX103935-00	10.0	17	190.0	170.0	20.0	100.0

*number of teeth

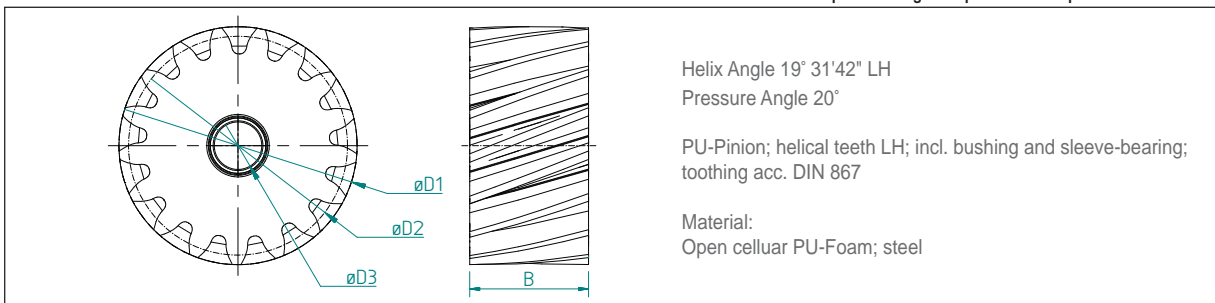
Special design (all parameter disposable): on demand!
Dimensions are in mm and are subject to change - consult factory.



Arrangement with drive pinion

Code - Part number	Module	z*	D1	D2	D3	B
PGRP0.H_M1,5_DX	1.5	24	41.2	38.2	12.0	15.0
PGRP0.H_M2_DX	2.0	17	40.1	36.1	12.0	20.0
PGRP1.H_DX	3.0	17	60.1	54.1	12.0	30.0
PGRP2.H_DX	4.0	17	80.2	72.2	12.0	40.0
PGRP3.H_DX	5.0	17	100.2	90.2	20.0	50.0
PGRP4.H_DX	6.0	17	120.2	108.2	20.0	60.0
PGRP5.H_DX	8.0	17	160.3	144.3	20.0	80.0
PGRP6.H_DX	10.0	17	200.4	180.4	20.0	100.0

Special design (all parameter disposable): on demand!

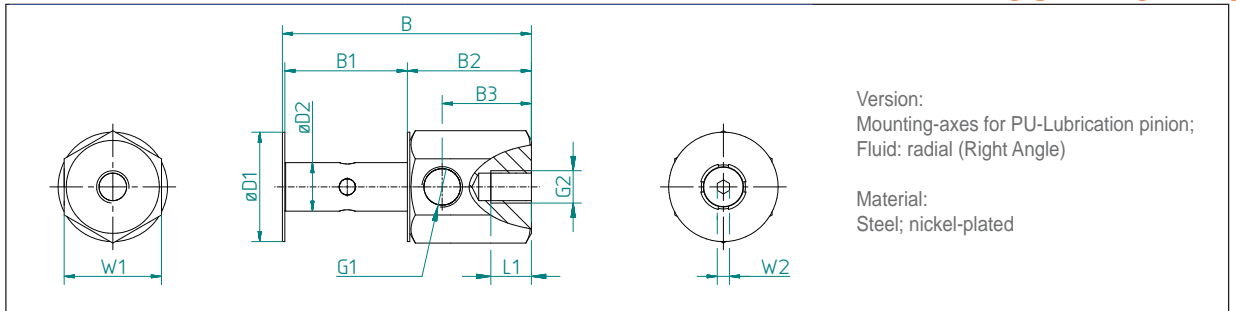


Arrangement with rack

Code - Part number	Module	z*	D1	D2	D3	B
PGRP0.H_M1,5	1.5	24	41.2	38.2	12.0	15.0
PGRP0.H_M2	2.0	17	40.1	36.1	12.0	20.0
PGRP1.H - EX103923-00	3.0	17	60.1	54.1	12.0	30.0
PGRP2.H - EX103924-00	4.0	17	80.2	72.2	12.0	40.0
PGRP3.H - EX103925-00	5.0	17	100.2	90.2	20.0	50.0
PGRP4.H - EX103926-00	6.0	17	120.2	108.2	20.0	60.0
PGRP5.H - EX103927-00	8.0	17	160.3	144.3	20.0	80.0
PGRP6.H - EX103928-00	10.0	17	200.4	180.4	20.0	100.0

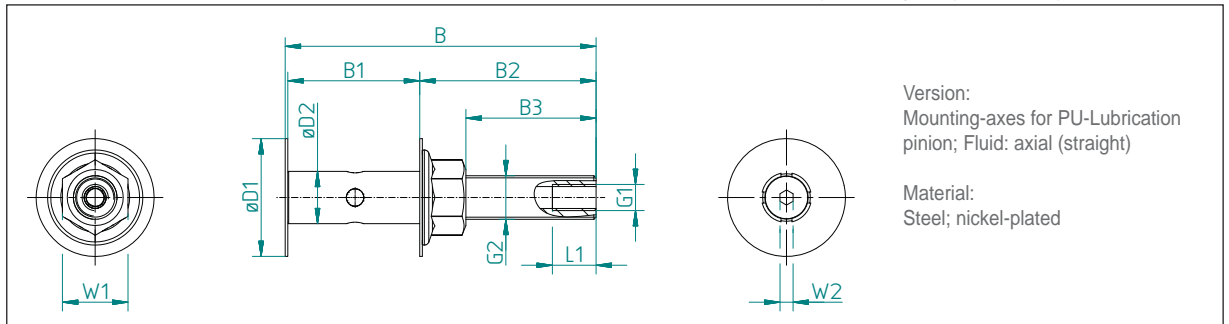
Special design (all parameter disposable): on demand!

*number of teeth Dimensions are in mm and are subject to change - consult factory.



Code - Part number	Module	W1	B	B1	B2	B3	D1	D2	G1	G2	L1	W2
SURP.1,5	1.5	24	46.4	15.2	30.6	22	27	12	G1/8x10mm deep	M8	10	3
SURP.2	2.0	24	54.4	20.2	30.6	22	27	12	G1/8x10mm deep	M8	10	3
SURP.3 - EX103943-00	3.0	24	61.4	30.2	30.6	22	27	12	G1/8x10mm deep	M8	10	3
SURP.4 - EX103944-00	4.0	24	71.4	40.2	30.6	22	27	12	G1/8x10mm deep	M8	10	3
SURP.5 - EX103945-00	5.0	24	81.4	50.2	30.6	22	60	20	G1/8x10mm deep	M8	10	4
SURP.6 - EX103946-00	6.0	24	91.4	60.2	30.6	22	60	20	G1/8x10mm deep	M8	10	4
SURP.8 - EX103947-00	8.0	24	111.4	80.2	30.6	22	60	20	G1/8x10mm deep	M8	10	4
SURP.10 - EX103948-00	10.0	24	131.4	100.2	30.6	22	100	20	G1/8x10mm deep	M8	10	4

Special design (all parameter disposable): on demand!

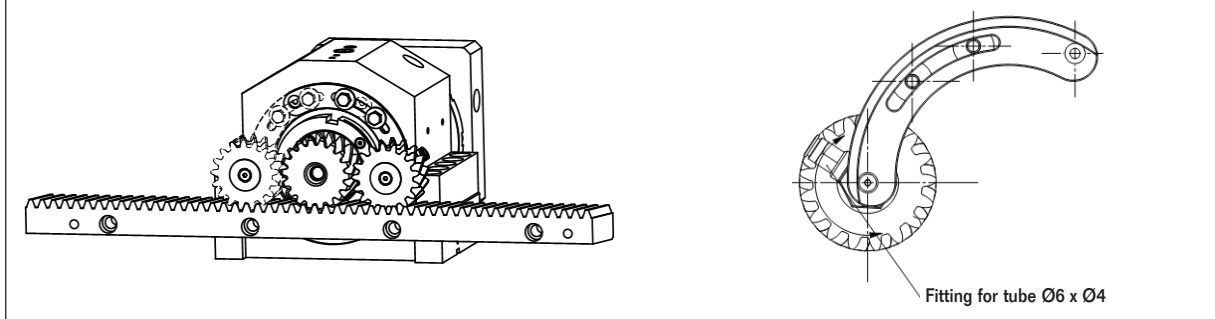


Code - Part number	Module	W1	B	B1	B2	B3	D1	D2	G1	L1	G2	W2
SULP.1,5	1.5	15	60.2	15.2	44.6	34.2	27	12	M6	10	M10	3
SULP.2	2.0	15	61.2	20.2	41.2	30.6	27	12	M6	10	M10	3
SULP.3	3.0	15	71.2	30.2	40.4	30	27	12	M6	10	M10	3
SULP.4	4.0	15	81.2	40.2	40.4	30	27	12	M6	10	M10	3
SULP.5	5.0	24	116.4	50.2	65.6	49.1	60	20	G1/8	10	M16	4
SULP.6	6.0	24	126.4	60.2	65.6	49.1	60	20	G1/8	10	M16	4
SULP.8	8.0	24	146.4	80.2	65.6	49.1	60	20	G1/8	10	M16	4
SULP.10	10.0	24	166.4	100.2	65.6	49.1	100	20	G1/8	10	M16	4

Special design (all parameter disposable): on demand!

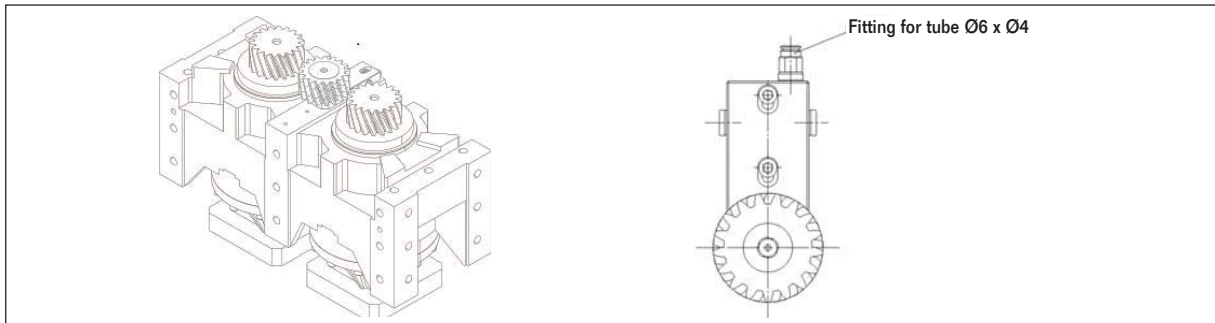
Dimensions are in mm and are subject to change - consult factory.

SFRPX - Lubrication Pinion Support for KRPX



Part Number	Gearbox	Pinion Support Code
EX104268-00	KRPX1	SFRPX1.3
EX104269-00	KRPX2	SFRPX2.4
EX104270-00	KRPX3	SFRPX3.5
EX104271-00	KRPX4	SFRPX4.6
EX104272-00	KRPX5	SFRPX5.8

SFRP - Lubrication Pinion Support for DRP



Part Number	Gearbox	Pinion Support Code
EX104273-00	DRP1	SFRP1.3
EX104274-00	DRP2	SFRP2.4
EX104275-00	DRP3	SFRP3.5
EX104276-00	DRP4	SFRP4.6
EX104277-00	DRP5	SFRP5.8

Pre-assembled
 Including: fitting, screws for mounting on gearbox and washers
 PU-Lubrication Pinions not included
 3D STEP files available