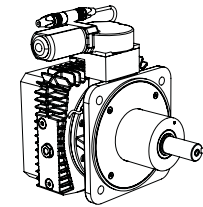


MSD SIZE 12

Technical Features

Rated output torque (S1-100%)	
Max input speed	
Reduction ratio	
Motor frame size	
Gearbox housing dimensions	
Torsional backlask	
Thermal capacity	
Efficiency	

	SIZE	123	124	126
T _{2N}	[Nm]	175	230	350
N _{1B}	[rpm]	7000		
i		1.00 & 3.83 1.00 & 4.94 ^(*)		
	[mm]	100/112		
	[mm]	220 x 208		
-	[arcmin]	30		
P	[kW]	12		
η	%	97		

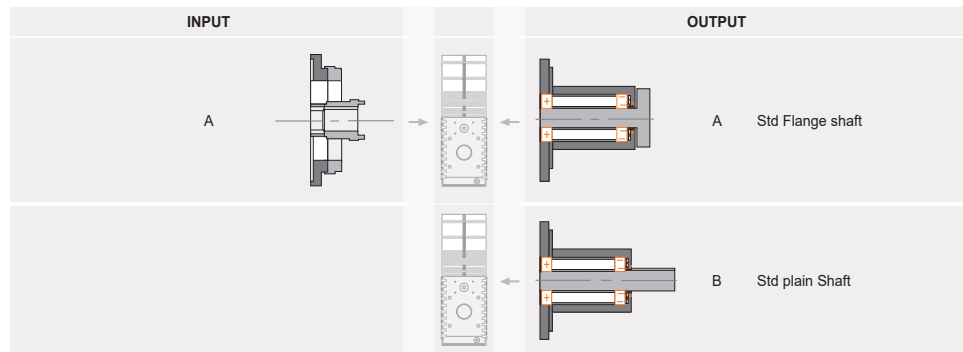


*Example: MSD 12
INPUT - A. OUTPUT - B

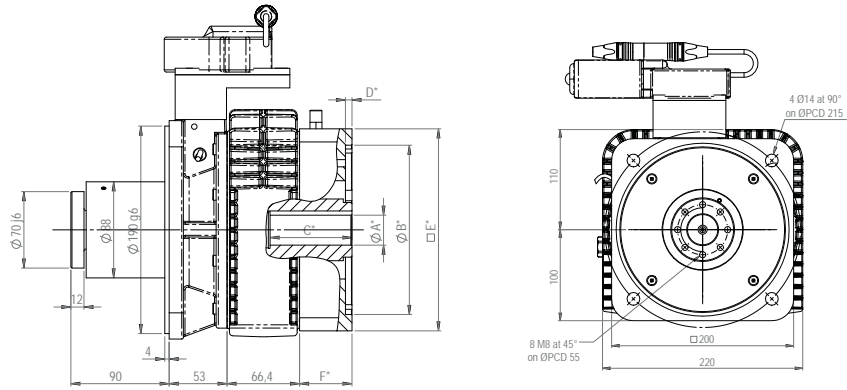
^(*) Only available with 4 planets

Interface

Input without sealing ring

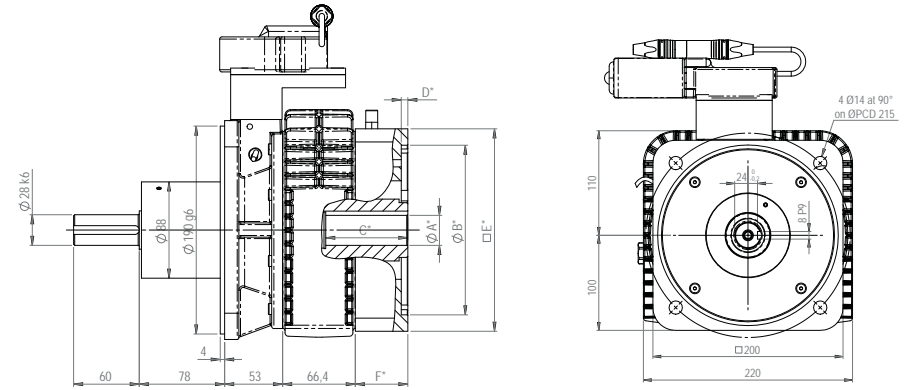


DIMENSIONS
INPUT - TYPE A
OUTPUT - TYPE A



* A B C D E F According to motor dimensions

DIMENSIONS
INPUT - TYPE A
OUTPUT - TYPE B



* A B C D E F According to motor dimensions