

DRP SIZE 4

DRP4	
Weight	
Efficiency	
Backlash	
Color	

General data

		M	R
m	kg	1 Stage	
		2 Stages	506 520
η	%	1 Stage	
		2 Stages	93 91
J	arcmin	Standard	3 4
		Reduced	1 2
		RAL2012	

Tooth type	
Module	
Helix angle (left)	
Number of teeth	
Pressure angle	
Theoretical pitch diameter	
Addendum modification factor	
Pinion quality grade	
Surface hardness	

Pinion features

		Helical	Straight
Mo	mm	6	6
β	deg	19°31'42"	0°
Z2	-	18	19
α	deg	20°	20°
D02	mm	114,59	114
x0	-	0,201	0,250
Q	(ISO 1328)	6	6
HRC	HRC	61-63	61-63

Rack features

Version			Helical	Straight
Standard	F2B	N	64103	55424
	F2NOT	N	128205	96390
	Material		C45E DIN 1.1191	
Reinforced	F2B	N	78753	N/A
	F2NOT	N	171203	N/A
	Material		16MnCr5	
Available length	L	mm	500, 1000, 2000	
Dimensions	see details p113-115			

Ratio	
Nominal feed force	
Peak acceleration feed force	
Max. acceleration feed force	
E-stop force	
Max. linear speed	
Nominal linear speed	
Linear stiffness on the rack	
Inertia	

Drive linear features

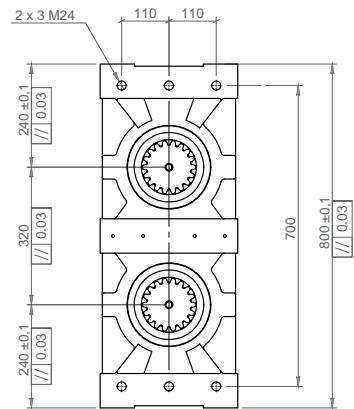
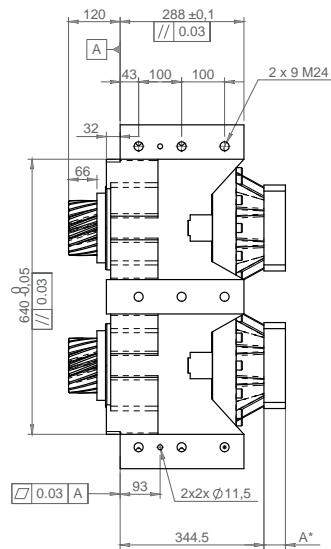
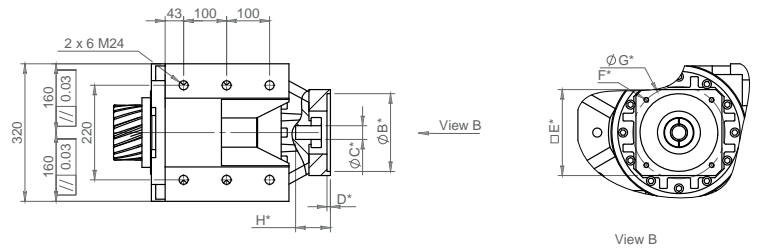
		5	7	10	17	21	31	46	61	91
F2N	N			61087	61087	62833	44681	49568	49568	
F2B	N			106903	106903	109957	78192	86744	86744	
F2B_max	N			213806	213806	219914	156384	173488	173488	
F2NOT	N			132647	132647	132647	132647	132647	132647	
V2B	m/min			85	69	46	31	24	16	
V2N	m/min			28	22	15	10	8	5	
K2T +M	N/μm			461	461	461	440	493	440	
K2T +R	N/μm				440	440	420	437	431	
I +M	kg.mm²			3439	2246	1886	1702	1146	1095	
I +R	kg.mm²				10765	7955	7770	7242	7191	

Ratio	
Nominal output torque	
Max. output torque	
No load torque	
No load torque	
E-stop torque	
Max. input speed	
Nominal input speed	
Radial stiffness	
Axial stiffness	
Torsional stiffness	

DRP ratings

		5	7	10	17	21	31	46	61	91
T2N	Nm				3500	3500	3600	2560	2840	2840
T2B	Nm				6125	6125	6300	4480	4970	4970
T01 +R	Nm					3,6	3,6	3,6	3,6	3,6
T01 +M	Nm				3	3	3	3	3	3
T2NOT	Nm				7600	7600	7600	7600	7600	7600
n1B	rpm				4000	4000	4000	4000	4000	4000
n1N	rpm				1300	1300	1300	1300	1300	1300
K2R	N/μm				1250	1250	1250	1250	1250	1250
K2A	N/μm				5000	5000	5000	5000	5000	5000
C2t +R	Nm/ rad				2475178	2471740	2289539	2444238	2382359	
	Nm/arcmin				720	719	666	711	693	
C2t +M	Nm/ rad				2681442	2681442	2681442	2468302	3025217	2471740
	Nm/arcmin				780	780	780	718	880	719

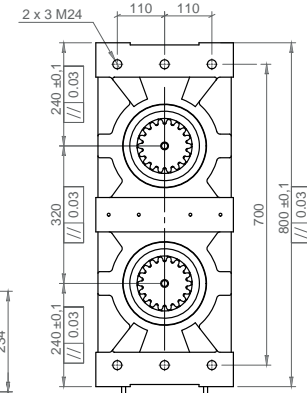
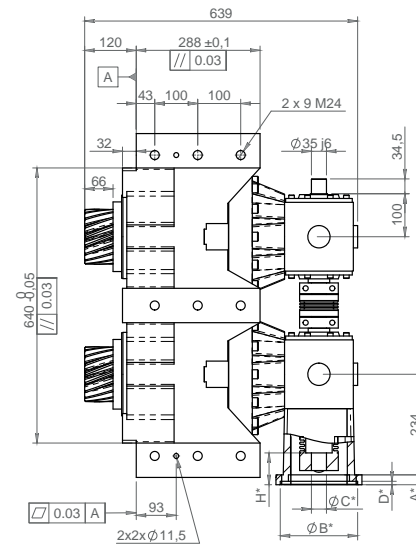
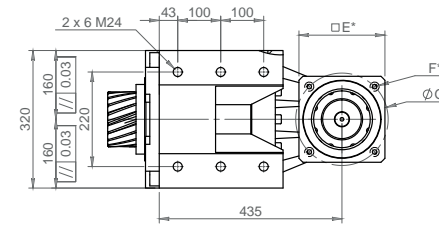
DIMENSIONS - TYPE M



	IFC 140 22/32	IFC 200 22/48	IFC 260 35/48
A	42	50	51
E	140	200	260
H	73	81	82

*B C D F G According to motor dimensions
Tapping depth = 1.5x0 thread

DIMENSIONS - TYPE R



	MF4 200	MF4 260
A	23	23
E	200	260
H	110	110

*B C D F G According to motor dimensions
Tapping depth = 1.5x0 thread

Dimensions and main data for information only - Please consult us and / or refer to Products Datasheets
For accurate selection, contact your local supplier