

DRP SIZE 2

DRP2	
Weight	
Efficiency	
Backlash	
Color	

General data

		M	R
m	kg	1 Stage	
		2 Stages	202 207
η	%	1 Stage	
		2 Stages	93 91
J	arcmin	Standard	3 4
		Reduced	1 2
		RAL2012	

Tooth type	
Module	
Helix angle (left)	
Number of teeth	
Pressure angle	
Theoretical pitch diameter	
Addendum modification factor	
Pinion quality grade	
Surface hardness	

Pinion features

		Helical	Straight
Mo	mm	4	4
β	deg	19°31'42"	0°
Z2	-	18	19
α	deg	20°	20°
D02	mm	76,39	76
x0	-	0,638	0,688
Q	(ISO 1328)	6	6
HRC	HRC	61-63	61-63

Rack features

Version			Helical	Straight
	Standard	F2B N		28552
	F2NOT N		57103	42966
	Material		C45E DIN 1.1191	
Reinforced	F2B N		35138	N/A
	F2NOT N		76388	N/A
	Material		16MnCr5	
Available length	L mm		500, 1000, 2000	
Dimensions			see details p113-115	

Ratio	
Nominal feed force	
Peak acceleration feed force	
Max. acceleration feed force	
E-stop force	
Max. linear speed	
Nominal linear speed	
Linear stiffness on the rack	
Inertia	

Drive linear features

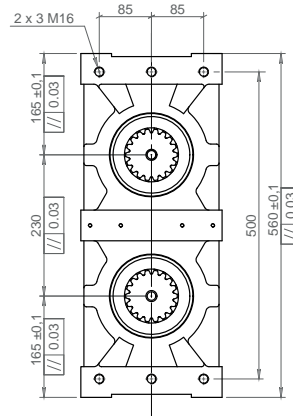
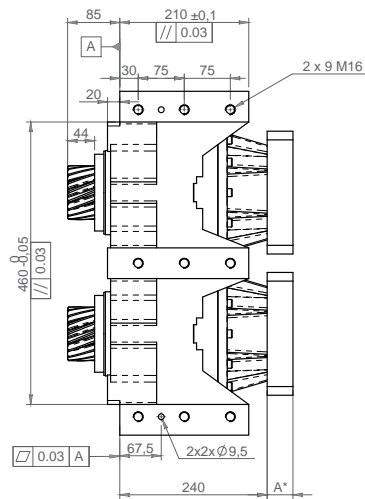
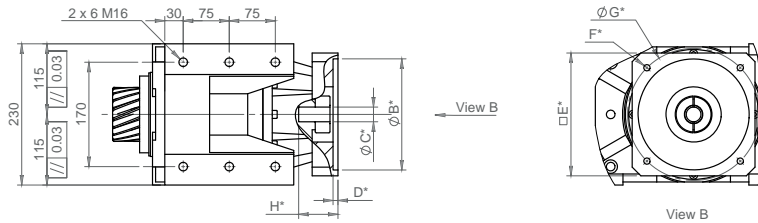
		5	7	10	17	21	31	46	61	91
F2N	N	27491	20945	31418	20945	30109	20945			
F2B	N	48121	36654	54981	36654	52703	36654			
F2B_max	N	96243	73308	109962	73308	73308	73308			
F2NOT	N	71999	71999	71999	71999	71999	71999			
V2B	m/min	85	69	46	31	24	16			
V2N	m/min	30	24	16	11	8	6			
K2T +M	N/μm	291	276	291	278	288	275			
K2T +R	N/μm		251	273	273	265	275			
I +M	kg.mm²	816	722	663	634	596	588			
I +R	kg.mm²		1313	1254	1226	1188	1160			

Ratio	
Nominal output torque	
Max. output torque	
No load torque	
No load torque	
E-stop torque	
Max. input speed	
Nominal input speed	
Radial stiffness	
Axial stiffness	
Torsional stiffness	

DRP ratings

		5	7	10	17	21	31	46	61	91
T2N	Nm				1050	800	1200	800	1150	800
T2B	Nm				1838	1400	2100	1400	2013	1400
T01 +R	Nm					2,3	2,3	2,3	2,3	2,3
T01 +M	Nm				2	2	2	2	2	2
T2NOT	Nm				2750	2750	2750	2750	2750	2750
n1B	rpm				6000	6000	6000	6000	6000	6000
n1N	rpm				2100	2100	2100	2100	2100	2100
K2R	N/μm				650	650	650	650	650	650
K2A	N/μm				2162	2162	2162	2162	2162	2162
C2t +R	Nm/ rad				-	677236	794120	794120	866312	804433
	Nm/arcmin					197	231	231	252	234
C2t +M	Nm/ rad				904127	814746	904127	825059	883501	807870
	Nm/arcmin				263	237	263	240	257	235

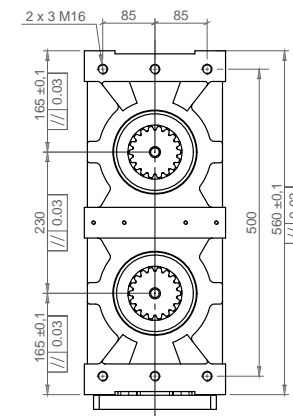
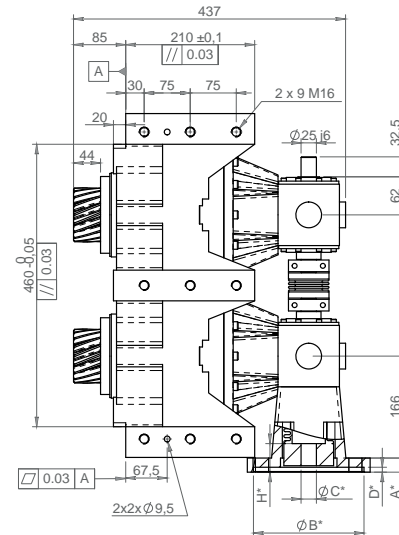
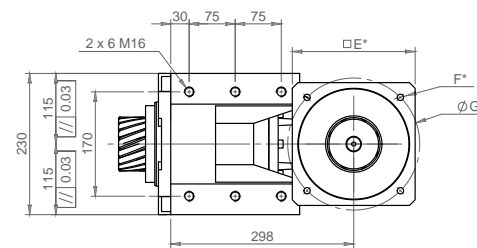
DIMENSIONS - TYPE M



	IFB 140 14/24	IFB 140 28/38	IFB 200 28/38	IFB 260 28/38
A	37	42	57	64
E	140	140	200	260
H	59	65	80	87

*B C D F G According to motor dimensions
Tapping depth = 1.5x0 thread

DIMENSIONS - TYPE R



	MF2 140	MF2 200
A	23	23
E	140	200
H	80	80

*B C D F G According to motor dimensions
Tapping depth = 1.5x0 thread

Dimensions and main data for information only - Please consult us and / or refer to Products Datasheets
For accurate selection, contact your local supplier